

LOW PROFILE
ROUND BALE CARRIER

LP80
LP140



Sometimes simple is genius.

AGWAY
MANUFACTURING



Innovative design
allows 4', 5' or 6' bales.

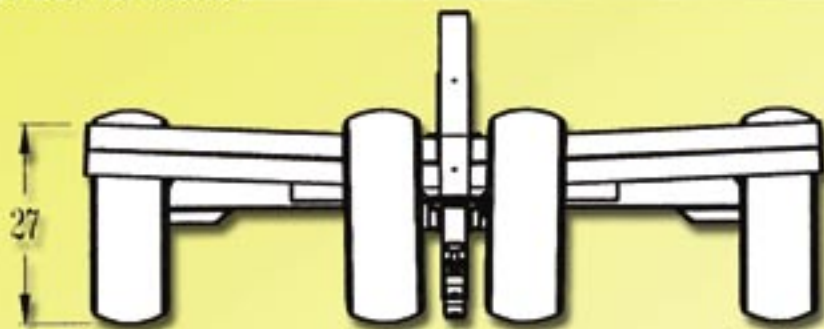
LP80 LOW PROFILE LP140 **ROUND BALE CARRIER**



Easy loading & unloading.

Cross members sloped to centre for load stability.

SPECIFICATIONS



Short turning radius
11x15 8 Ply tires

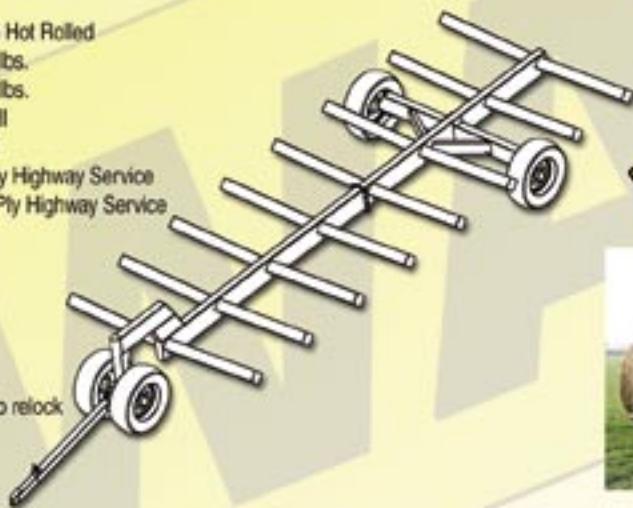


Retractable,
automatic
relock tongue



	LP80
Capacity	10,000 lbs. 8 bales on single layer
Bale Sizes	4', 5', 6'
Spindles	2" Dia. C1045 Hot Rolled
Hubs (Front)	6 Bolt 6,000 lbs.
(Rear)	6 Bolt 6,000 lbs.
Main Beam	10x4x.313 Wall
Cross member	5x5x.188 Wall
Tires (Front)	11Lx15 8 Ply
(Rear)	11Lx15 8 Ply
Height	27"
(from ground to top of cross member)	
Wheelbase	225"
Length	25'
Width	8' 4"
Approx. Weight	2,075lbs.
Tongue	retractable auto relock

	LP140
Capacity	20,000 lbs. 14 bales on double layer
Bale Sizes	4', 5', 6'
Spindles	2" Dia. C1045 Hot Rolled
Hubs (Front)	6 Bolt 6,000 lbs.
(Rear)	8 Bolt 8,000 lbs.
Main Beam	10x4x.313 Wall
Cross member	5x5x.188 Wall
Tires (Front)	11Lx15 12 Ply Highway Service
(Rear)	12.5Lx15 12 Ply Highway Service
Height	27"
(from ground to top of cross member)	
Wheelbase	225"
Length	25'
Width	8' 4"
Approx. Weight	2,075lbs.
Tongue	retractable auto relock



LP140 Carries up to 14 bales.



AGWAY

MANUFACTURING INC.

Built by Agway Manufacturing Inc.

2372 Floradale Rd., R.R.1 Elmira, ON, Canada N3B 2Z1

Tel: (519) 669-0387 Fax: (519) 669-0597

email: sales@agwaymfg.com

AUTHORIZED AGWAY DEALER: